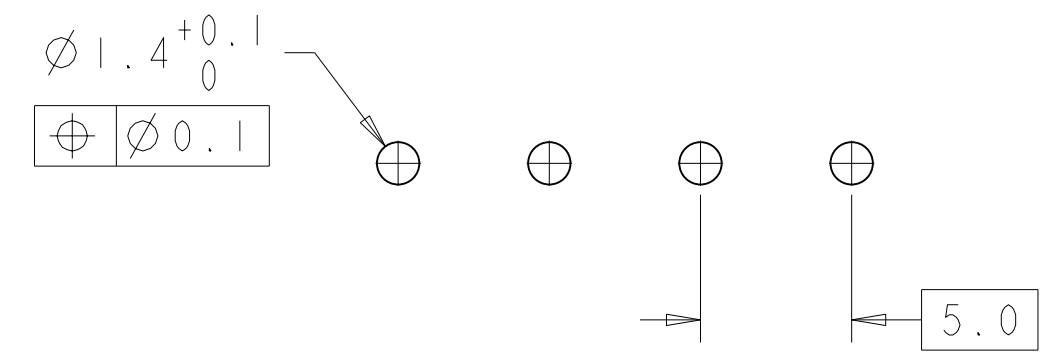
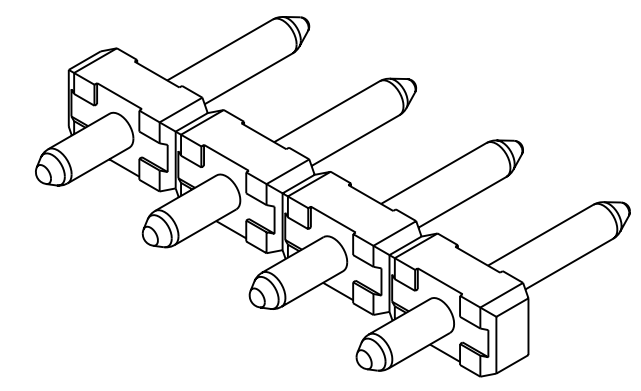
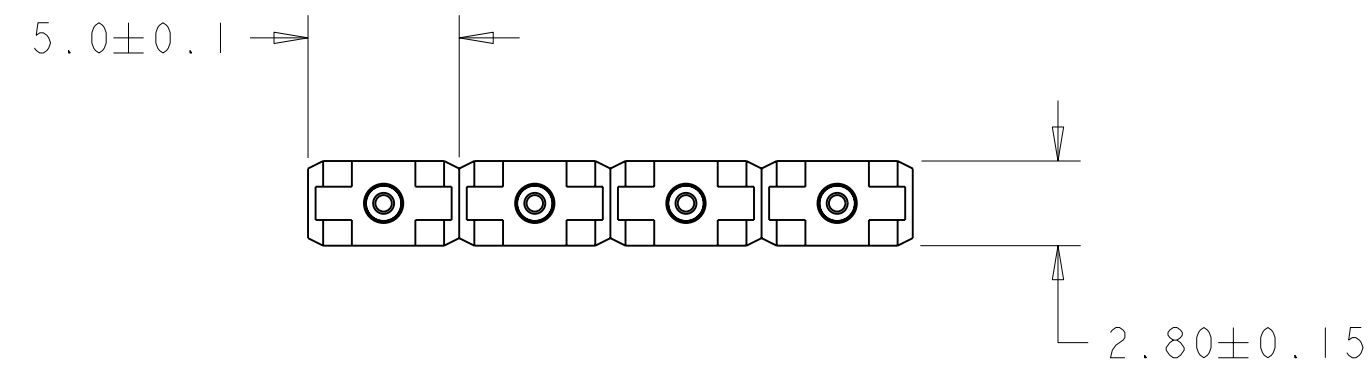


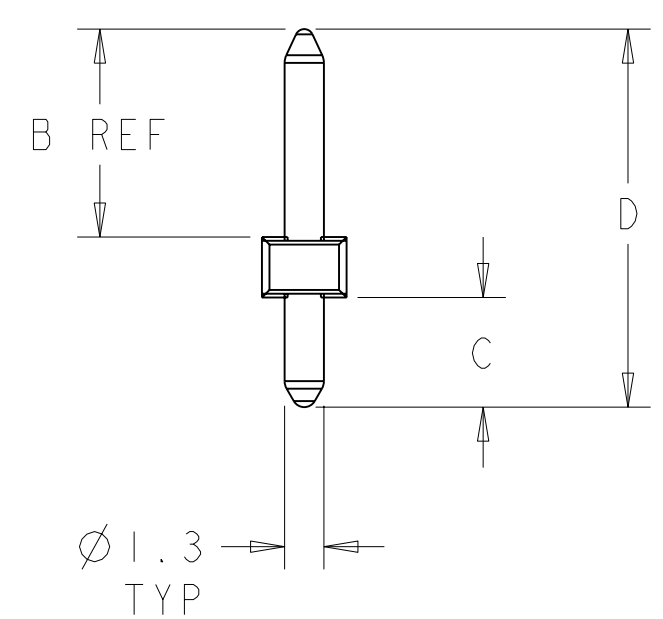
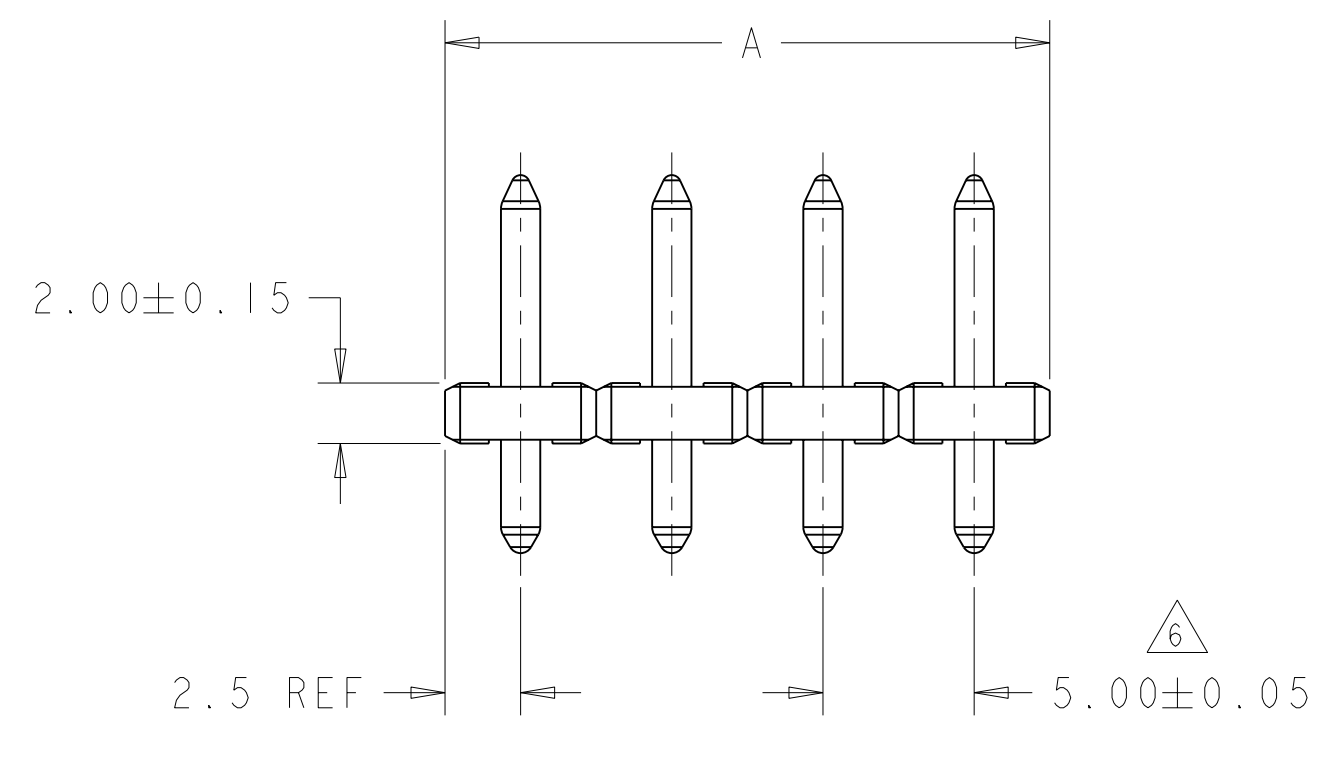
THIS DRAWING IS UNPUBLISHED. RELEASED FOR PUBLICATION 20
 © COPYRIGHT 20 BY TYCO ELECTRONICS CORPORATION. ALL RIGHTS RESERVED.

LOC		DIST		REVISIONS			
P	LTR	DESCRIPTION	DATE	DWN	APVD		
	H	ADDED 3-4, 3-5 EC 0G3B-0502-03	17JUN2003	SW	CR		
	HI	ADDED 3--7, ECO-05-010011	09NOV2005	SW	CR		



RECOMMENDED PC BOARD LAYOUT

282832-4 AS SHOWN



FINISH	16.5	3.5	11	20	4	3-282832-7			
TIN	20.5	4.5	14	15	3	3-282832-6			
	12.5	3.5	15.6	20	4	3-282832-5			
15				3	3-282832-4				
7			15	3	3-282832-3				
			10	2	3-282832-2				
			15	3	2-282832-7				
			125	25	2-282832-6				
			120	24	2-282832-5				
			115	23	2-282832-4				
			110	22	2-282832-3				
105			21	2-282832-2					
100			20	2-282832-1					
95	19	2-282832-0							
TIN	12.5	3.5	7	90	18	1-282832-9			
				85	17	1-282832-8			
				80	16	1-282832-7			
				75	15	1-282832-6			
				70	14	1-282832-5			
				65	13	1-282832-4			
				16.5	3.5	11	40	8	1-282832-3
				60	12	1-282832-2			
				55	11	1-282832-1			
				50	10	1-282832-0			
TERMINAL PLATING	D	C	B	A	NO OF POSN	PART NUMBER			
							45	9	282832-9
							40	8	282832-8
							35	7	282832-7
							30	6	282832-6
							25	5	282832-5
							20	4	282832-4
							15	3	282832-3
							10	2	282832-2

1. MATERIALS AND FINISH:
 HOUSING: PA 6-6, UL 94-V0, COLOR GREEN.
 TERMINAL: BRASS, PLATING: SEE TABLE.
2. SUITABLE FOR 1,6-2,4mm PC BOARD THICKNESS.
3. END-TO-END STACKABLE WITHOUT LOSS OF CENTERLINE SPACING.
4. RECOGNIZED UNDER THE COMPONENT PROGRAM OF UNDERWRITERS LABORATORIES INC. FILE N° E60677.
5. IMQ CERTIFICATE WITH SURVEILLANCE IN CONFORMITY WITH IEC 998-1/998-2-1.
6. NOT CUMULATIVE TOLERANCE.

THIS DRAWING IS A CONTROLLED DOCUMENT FOR TYCO ELECTRONICS CORPORATION. IT IS SUBJECT TO CHANGE AND THE CONTROLLING ENGINEERING ORGANIZATION SHOULD BE CONTACTED FOR THE LATEST REVISION.

DWN F. ZANOLINI	4AUG2001	BUCHANAN Tyco Electronics Harrisburg, PA 17105-3608
CHK D. BIEVENOUR	4AUG2001	
APVD D. BIEVENOUR	4AUG2001	
NAME	TERMINAL BLOCK PIN HEADER UNSHROUDED 5.0 mm PITCH	
DIMENSIONS:	TOLERANCES UNLESS OTHERWISE SPECIFIED:	PRODUCT SPEC
mm	0 PLC ±.3	108-20166
	1 PLC ±.25	APPLICATION SPEC
	2 PLC ±.	114-20079
	3 PLC ±.	WEIGHT
	4 PLC ±.	
	ANGLES ±2	
MATERIAL	FINISH	SIZE
		A2
		CAGE CODE
		00779
		DRAWING NO
		C=282832
		RESTRICTED TO
		SCALE
		4:1
		SHEET
		1 OF 1
		REV
		HI

CUSTOMER DRAWING